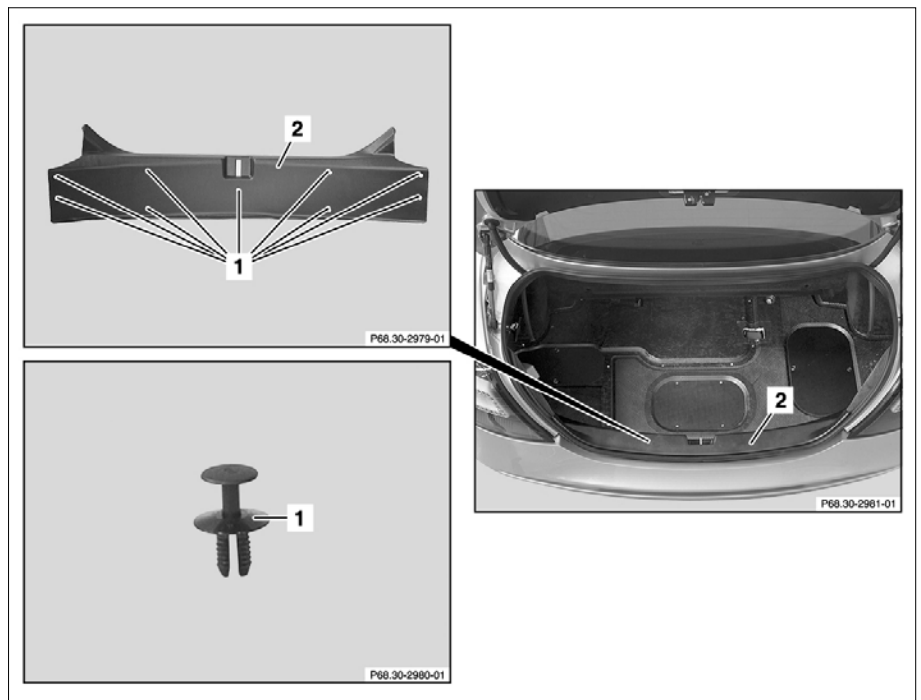


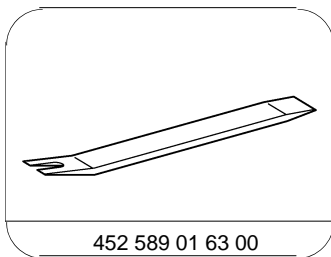
MODEL 199

- 1 Clips
- 2 Paneling



P68.30-2982-06

☒ ☒	Remove/Install		
1	Remove floor paneling from trunk		
2	Remove clips (1)	i Installation: Check clips (1) for damage, replace if necessary. ☒	*452589016300
3	Remove paneling (2)		
4	Install in the reverse order		



452 589 01 63 00

Snap-release tool